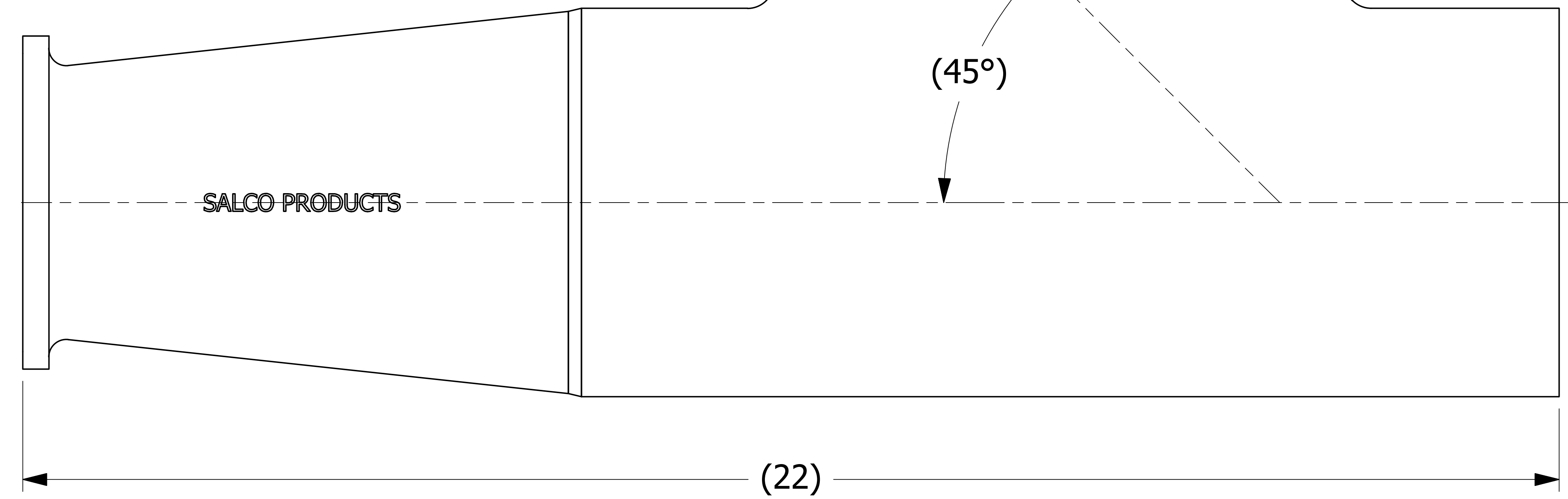
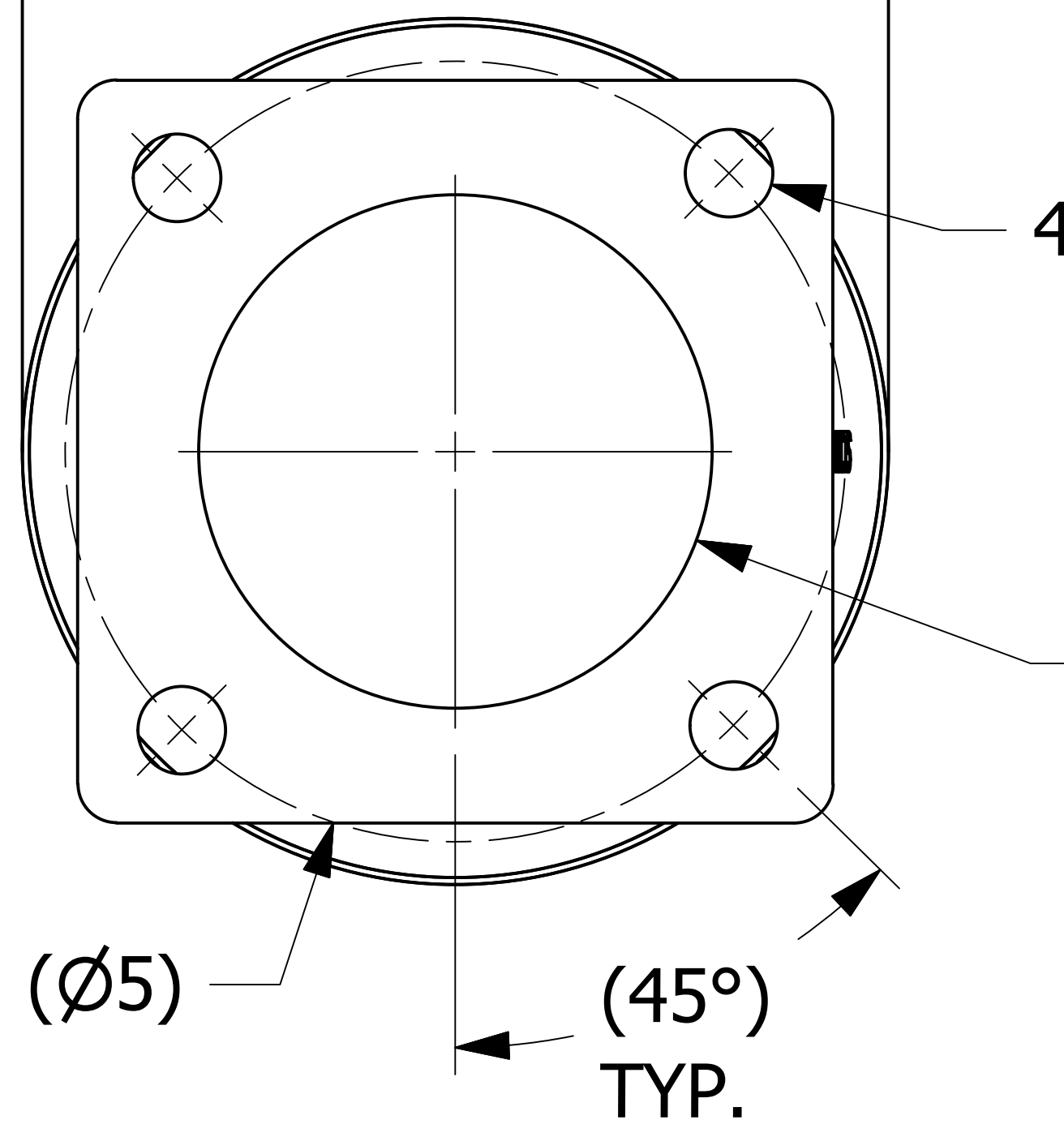
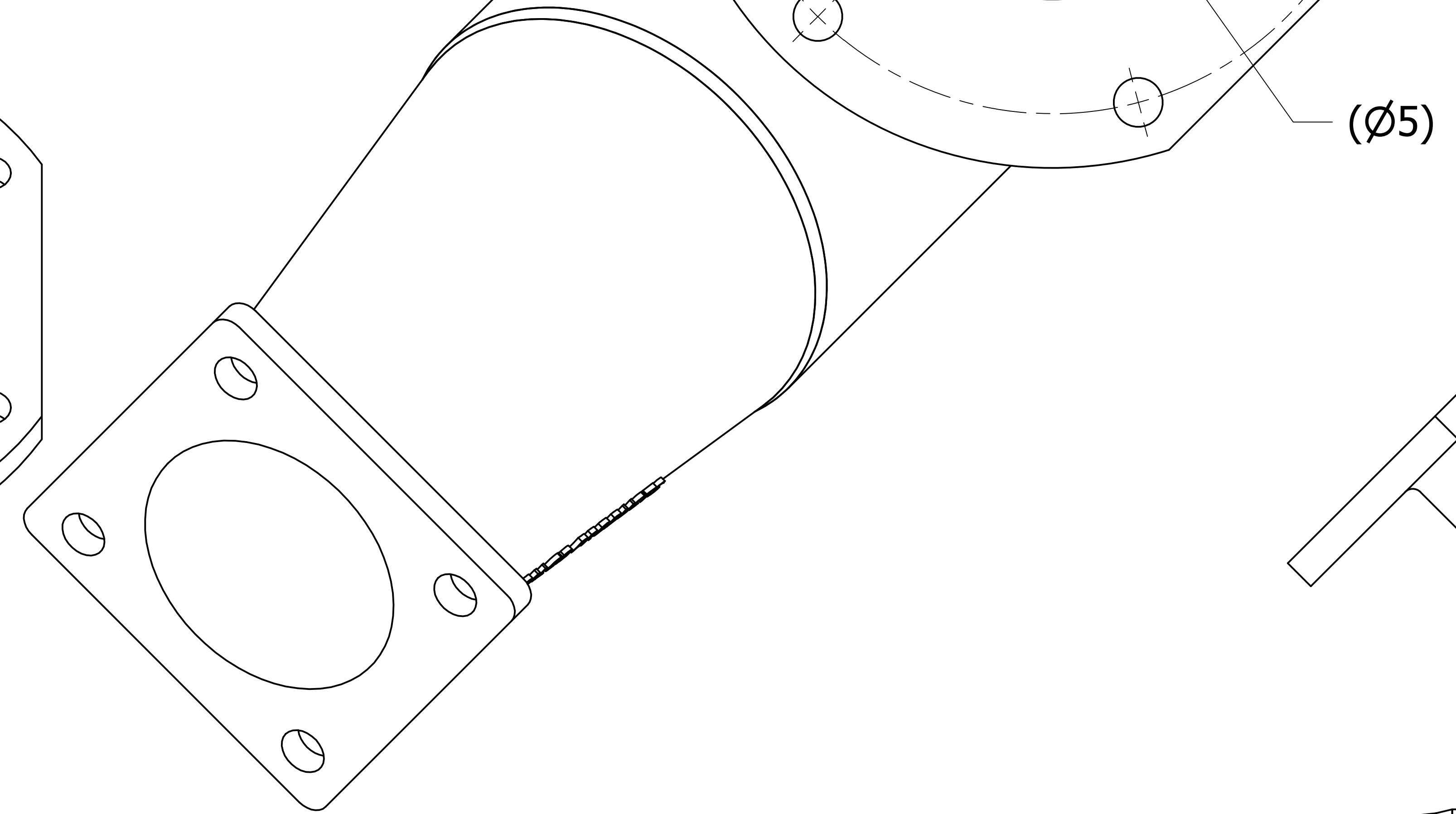
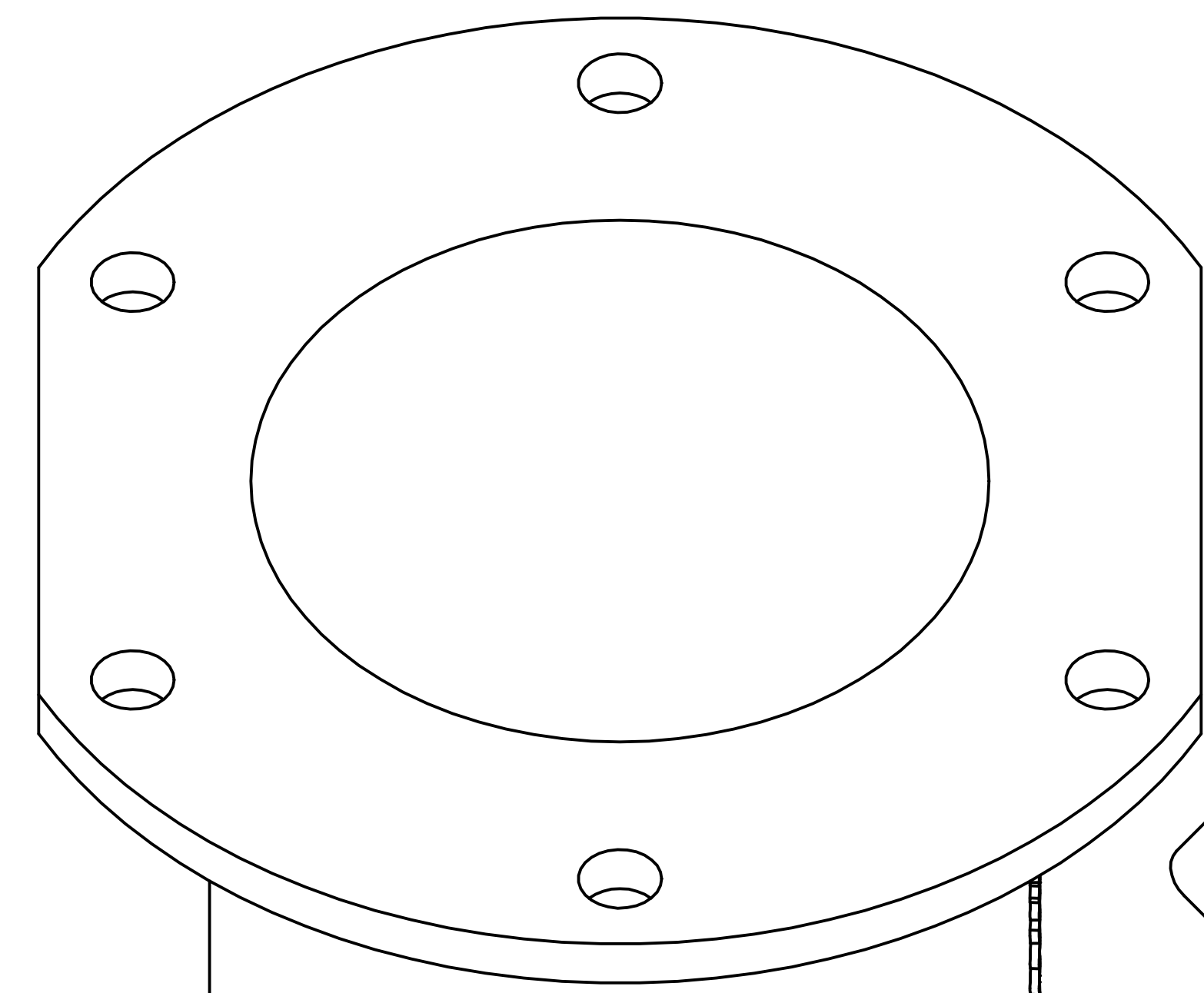


SALES DRAWING SALES DRAWING SALES DRAWING SALES DRAWING SALES DRAWING SALES DRAWING SALES DRAWING SALES DRAWING SALES DRAWING SALES DRAWING

SALES DRAWING SALES DRAWING SALES DRAWING SALES DRAWING SALES DRAWING SALES DRAWING SALES DRAWING SALES DRAWING SALES DRAWING SALES DRAWING



(60° TYP.)

(Ø7 5/8)

6X (Ø9/16)

(Ø8 7/8)

(Ø5)

4X (Ø9/16)

(Ø3 5/16)

(Ø5)

(45° TYP.)

F	CHL	6/1/20	202006011110	CHL
REV	BY	DATE	REF #	PUB

UNLESS OTHERWISE SPECIFIED DIMENSIONAL TOLERANCES FRACTIONAL: $\pm 1/16$ X.XX: $\pm .03$ X.XXX: $\pm .015$ ANGULAR: $\pm 1^\circ$ DEBURR ALL SHARP EDGES. ALL MACHINED SURFACES TO HAVE A 125 RMS FINISH UNLESS NOTED OTHERWISE. THIRD ANGLE PROJECTION	DRAWN BY:	ACC
	CHECKED BY:	
	PROTOTYPE DATE:	9/12/2001
	APPROVED FOR PRODUCTION BY:	ACC
	PRODUCTION DATE:	9/12/2001
	SIZE:	E
	DRAWING #:	15948

SALCO PRODUCTS, INC.

PART NAME:
DISCHARGE LATERAL 5"

MATERIAL:
ALUMINUM

PROJECT #:
001001

SHEET #:
1 OF 1

SCALE:
1 : 1

PART #:
PD5ADL01F

THIS PRINT, PROPERTY OF SALCO PRODUCTS INC, CONTAINS PROPRIETARY INFORMATION AND MUST NOT BE COPIED, REPRODUCED, OR USED DETRIMENTALLY TO OUR INTEREST.